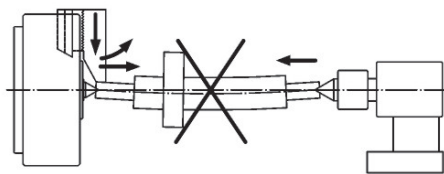
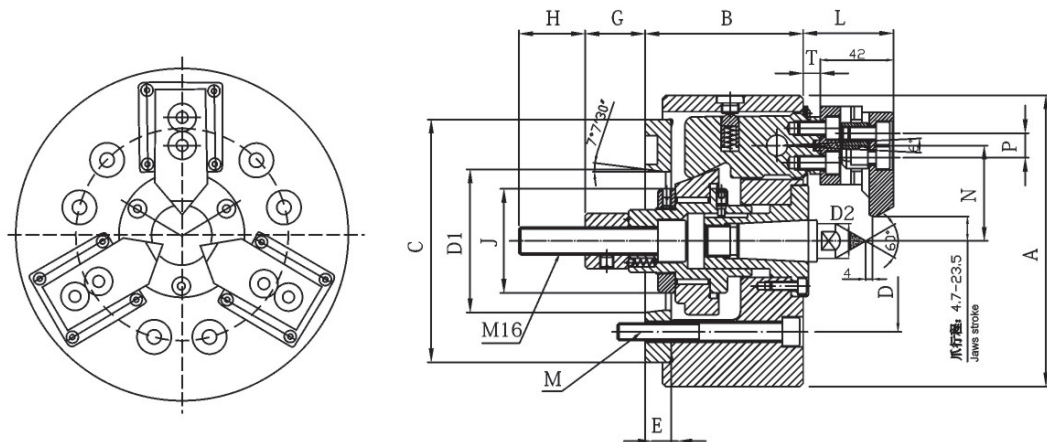


> FWD SERIES

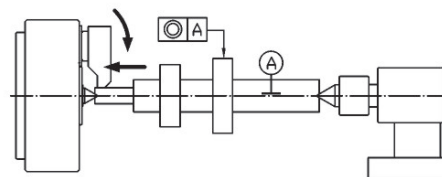
三爪補償型帶頂心動力卡盤

3 JAW COMPENSATION WITH CENTER POWER CHUCK

- ◎ 適用於軸類工件加工，卡盤具有補償式夾緊和後拉的功能，對中心的補償量為5mm。
- ◎ 尾座支撐工件，卡盤補償夾緊後，把工件拉向中心頂尖，依此加工後同軸度會非常好。
- ◎ It's suitable for shaft machining, the chuck have the function of compensation clamping and pulling back, the compensation size is 5mm.
- ◎ The tailstock support the shaft, after compensation clamping, the chuck pull the shaft back to center, better concentricity can be made.



不带补偿夹持的效果,易导致工件弯曲
Without pull back and compensation function,
the work bar easy to be bend.



FWD卡盘的夹持效果,所加工的同轴度非常好
FWD chuck clamping effect,
the work bar's concentricity can be better.

規格 Spec 型號 Model	楔心行程 Plunger stroke (mm)	爪行程直徑 Jaw stroke (Dia) (mm)	直徑夾持範圍 Clamping Range Dia. (mm)	容許油壓缸推力 Max. D.B. pull KN (Kgf)	最大夾持力 Max. clamping force KN (Kgf)	補償量 Compensation (mm)	最高轉速 Max RPM	慣性矩 I Kg·m ²	重量 Weight (Kg)	適合油缸 Matching Cylinder	最大使用壓力 Max.pressure Mpa (Kgf/cm ²)
FWD-06A5	16	13	6-35	14.7(1500)	25.0(2550)	5	3500	0.2	13	SNK-100	2.1(21)
FWD-08A6	20	18	16-65	19.6(2000)	34.3(3500)	6	3000	0.5	22	SNK-100	2.8(28)

規格 Spec 型號 Model	A	B	C(H6)	D	D1	D2	E	G	H	J	L	M	N	P	T
FWD-06A5	168	116	140	104.8	82.56	24	15	4-20	38	50	52	M10x120	55	14	34
FWD-08A6	210	127	170	133.4	106.38	32	17	9-29	38	58	61	M12x125	67	20	41.5

備注:

* FWD-06為彈性頂尖，在夾持工件時，以中心為基準補正，同時可使工件接觸到端面，便于軸向定位。

REMARK:

* FWD-06 chuck's center is spring type, when clamping, it's based on the center, the workpiece could be pulled onto the position base, so as to make axial position.

- * 保留技術更改的權利，恕不另行通知 Subject to technology changes without prior information
- * 非標需求可訂做 Non-standard requirements can be made